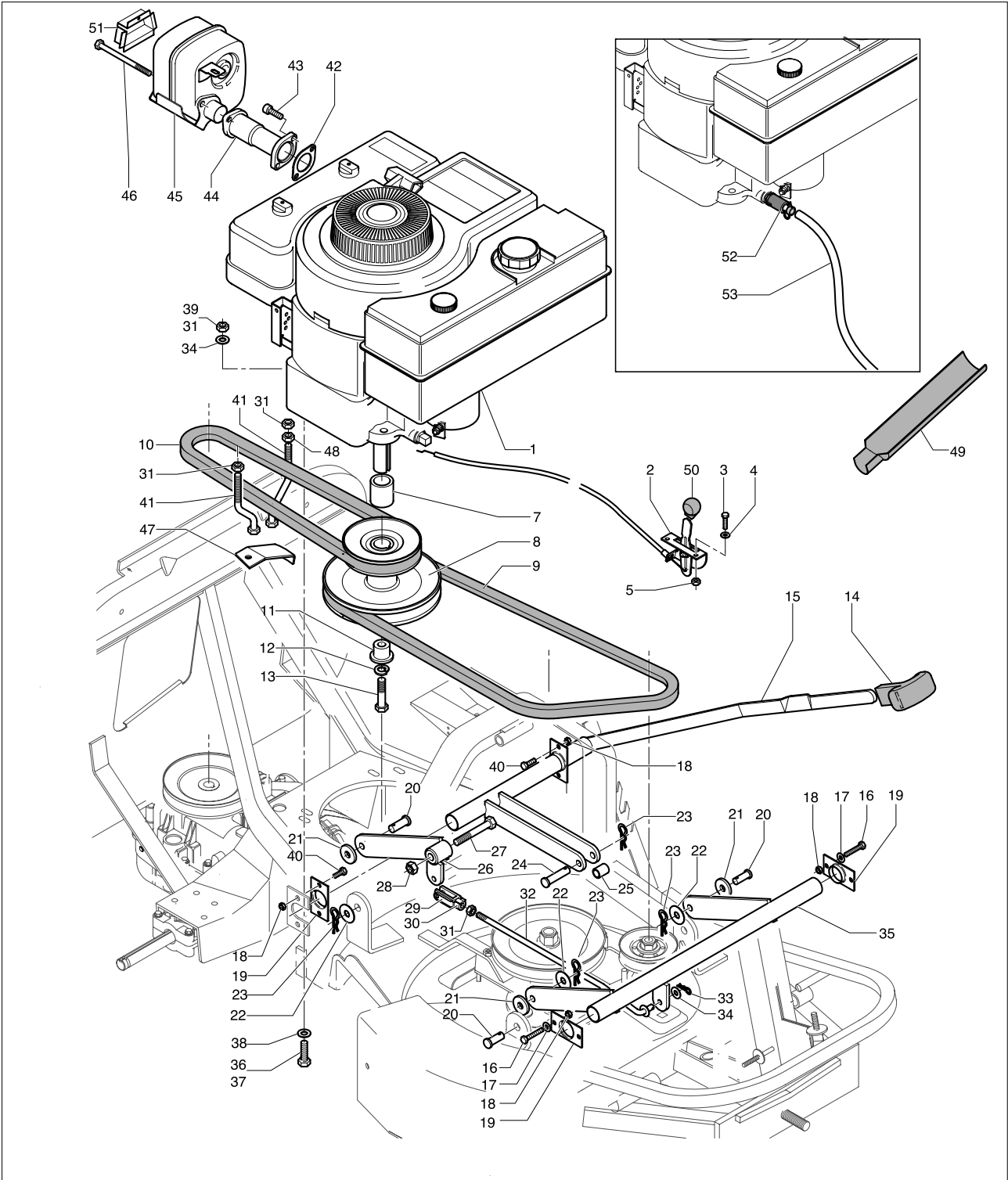


brand	PARTNER
-------	----------------

date	JAN/02	SHEET 1/2
------	--------	-----------

Model	10-67 CRD 10 HP

Product number	9538781-13



brand	PARTNER
-------	----------------

date	JAN/02	SHEET 2/16
------	--------	------------

10-67 CRD 10 HP

Pos	PN ELX	PN MEP	Q.ty	Note	Pos	PN ELX	PN MEP	Q.ty	Note
1	5312033-80/5	TECNAT10	1	TVM220-157269G HP 10.5	41	5312069-61/9	10303280	2	
2	5312069-72/6	10303430	1		42	5312085-77/1	20330330	1	
3	5312078-38/8	10830300	2	TE M5x16 UNI 5739-8,8-ZB	43	5312069-14/8	10302730	2	TCEI 5/16"UNCX 5/8"(15,87)
4	5312077-86/9	10805000	2	5x10x1	44	5312085-74/8	20330280	1	
5	5312084-92/3	20282100	2	M5 H7 UNI7473- ZB	45	5312085-78/9	20330340	1	
7	5312070-30/2	10330370	1		46	5312085-79/7	20330350	1	
8	5312111-55/1	10330490	1		47	5312070-32/8	10330390	1	
9	5312111-53/6	10330480	1		48	5312066-18/5	10240300	2	M8 H5 UNI 5589- 6S ZB
10	5312070-10/4	10330130	1	X13-845 Lp	49	5312070-31/0	10330383	1	
11	5312068-57/9	10301900	1	12X25,3X23,5 Z	50	5312069-70/0	10303403	1	
12	5312068-59/5	10301920	1	D.12 UNI 7980 ZNT	51	5312111-68/4	10330510	1	
13	5312068-58/7	10301910	1	TE 7/16" UNIF L=2"	52	5312069-76/7	10303460	1	
14	5312070-24/5	10330253	1		53	5312069-78/3	10303480	1	D17/12
15	5312067-67/0	10300650	1						
16	5312084-25/3	20228705	4	TE M6x35 UNI 5737-8,8-ZB					
17	5312053-77/9	10126000	4	6x18x1,5					
18	5312084-91/5	20281800	8	M6 H8 UNI7473- ZB					
19	5312067-70/4	10300680	3						
20	5312069-13/0	10302720	3	D.10x28					
21	5312068-09/0	10301170	3	D.10,3X30X3					
22	5312079-89/9	20113000	3	10x30x2,5					
23	5312069-17/1	10302760	4	D.2.5x50 CE					
24	5312069-12/2	10302710	1	D.10x45					
25	5312068-75/1	10302240	1	D.11x14x19					
26	5312068-07/4	10301150	1						
27	5312067-80/3	10300830	1	TSPEI M10X70 UNI5933 ZNT					
28	5312071-61/5	10501160	1						
29	5312067-97/7	10301020	1	M8x32 UNI1676 L=58					
30	5312068-14/0	10301220	1	M8					
31	5312079-82/4	20106300	3	M8 H8 UNI 5587- 6S ZB					
32	5312067-95/1	10301000	1						
33	5312066-53/2	10281400	1	1,8 x 33					
34	5312049-22/3	10114200	5	8x16x1,5 ZB					
35	5312068-12/4	10301200	1						
36	5312051-96/3	10121700	3	TE M8x35 UNI 5739-8,8-ZB					
37	5312069-45/2	10303090	1	TE M8X50-8.8- UNI5739 ZB					
38	5312049-04/1	10066300	4	8x24x2					
39	5312085-99/5	20404900	3	M8 H10 UNI7473- ZB					
40	5312086-60/5	20501370	4	TE M6x20 UNI 5739-8,8-ZB					

brand	PARTNER
-------	----------------

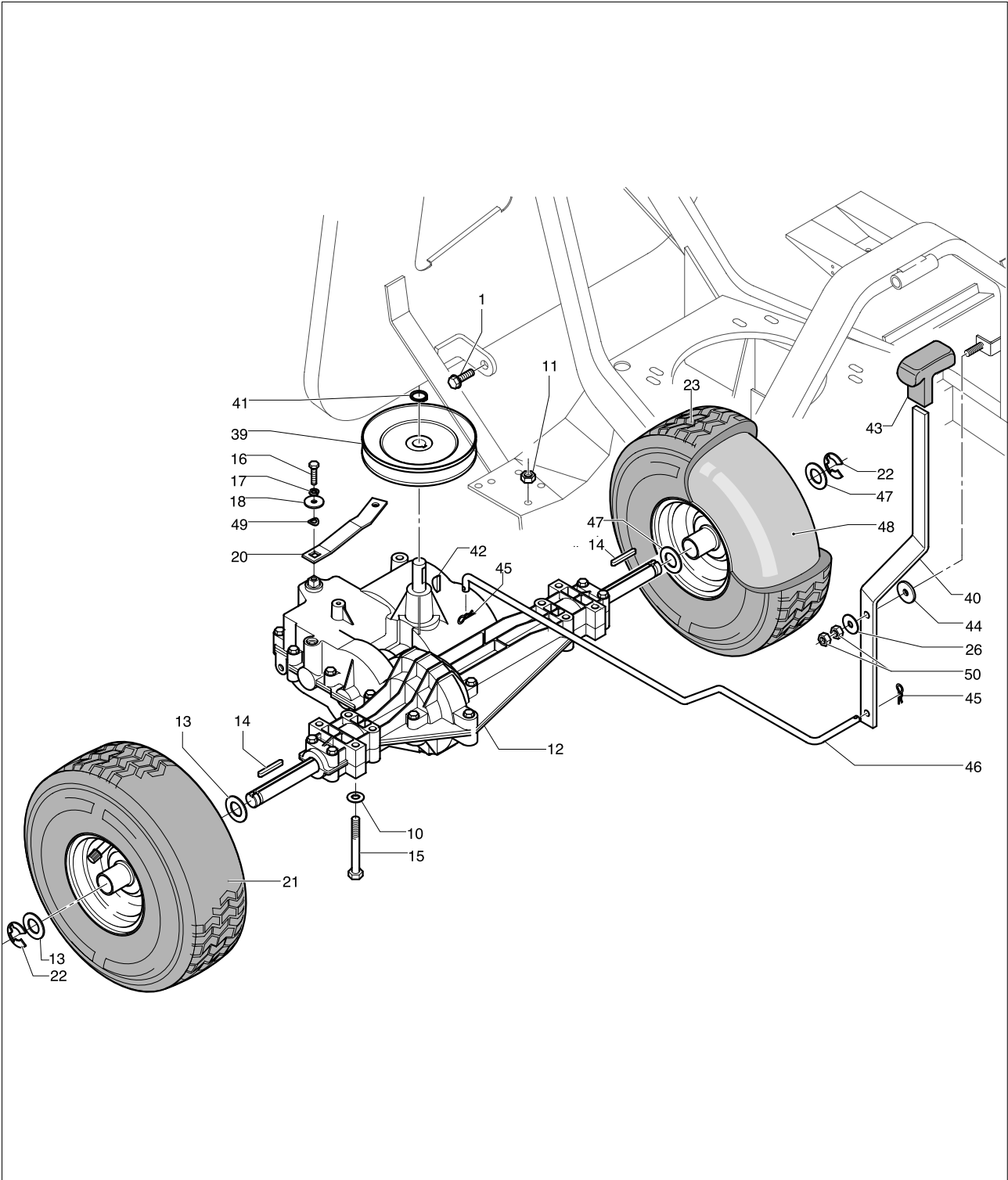
date	JAN/02	SHEET 3/16
------	--------	------------

Model

10-67 CRD 10 HP

Product number

9538781-13



brand	PARTNER
-------	----------------

date	JAN/02	SHEET 4/16
------	--------	------------

10-67 CRD 10 HP

Pos	PN ELX	PN MEP	Q.ty	Note
1	5312069-22/1	10302810	1	TE M8x20 TRILOBATA
10	5312049-22/3	10114200	8	8x16x1,5 ZB
11	5312085-99/5	20404900	9	M8 H10 UNI7473- ZB
12	5312070-03/9	10330050	1	MST 205/542D
13	5312067-25/8	10300160	3	ITT 20,2x30x1
14	5312067-26/6	10300180	2	5x4,7x40
15	5312066-81/3	10291000	8	TE M8x60 UNI 5737-8,8-ZB
16	5312068-03/3	10301080	2	TE 1/4" UNF 5/8"(16)-8.8G
17	5312067-31/6	10300230	1	D.6 DIN128 TIPO B ZNT
18	5312078-60/2	10832200	1	6x24x2
20	5312070-22/9	10330233	1	
21	5312067-10/0	10300000	1	DX (YELLOW)
21	5312067-09/2	1030000E	1	DX (GREY)
22	5312067-27/4	10300190	2	DIN 6799 D.15
23	5312067-12/6	10300010	1	15x6 SX (YELLOW)
23	5312067-11/8	1030001E	1	15X6 SX (GREY)
26	5312049-04/1	10066300	1	8x24x2
39	5312070-07/0	10330100	1	
40	5312070-14/6	10330162	1	
41	5312084-51/9	20231200	1	D 15/E
42	5312070-26/0	10330270	1	4,75X7,6X18,6
43	5312070-24/5	10330253	1	
44	5312070-27/8	10330290	1	MM.D.8,5X27X
45	5312066-53/2	10281400	2	1,8 x 33
46	5312070-16/1	10330170	1	
47	5312070-25/2	10330260	1	D. 20,5/30/0,3-C72
48	5312085-76/3	20330310	2	

brand	PARTNER
-------	----------------

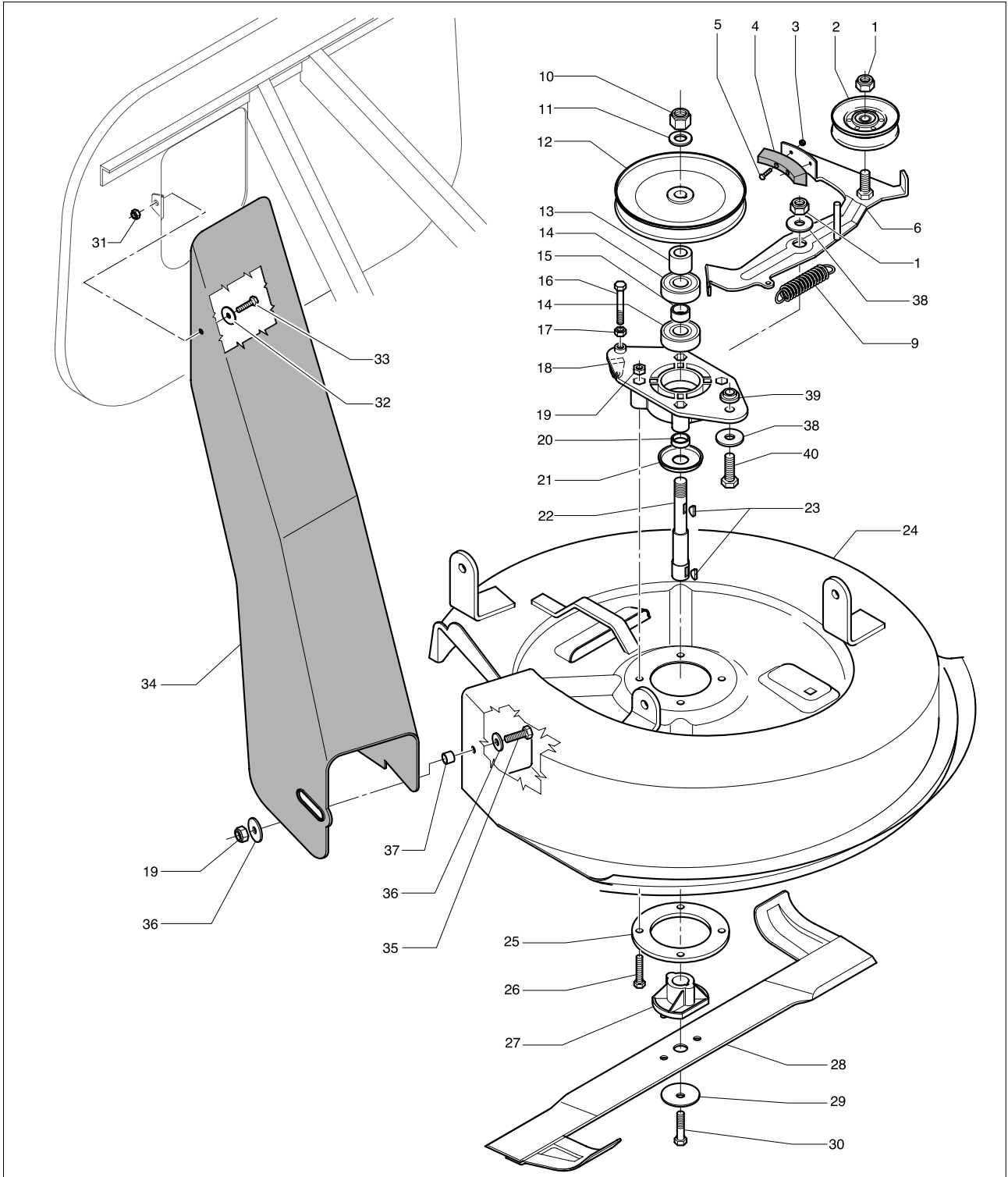
date	JAN/02	SHEET 5/16
------	--------	------------

Model

10-67 CRD 10 HP

Product number

9538781-13



brand	PARTNER
-------	----------------

date	JAN/02	SHEET6/16
------	--------	-----------

10-67 CRD 10 HP

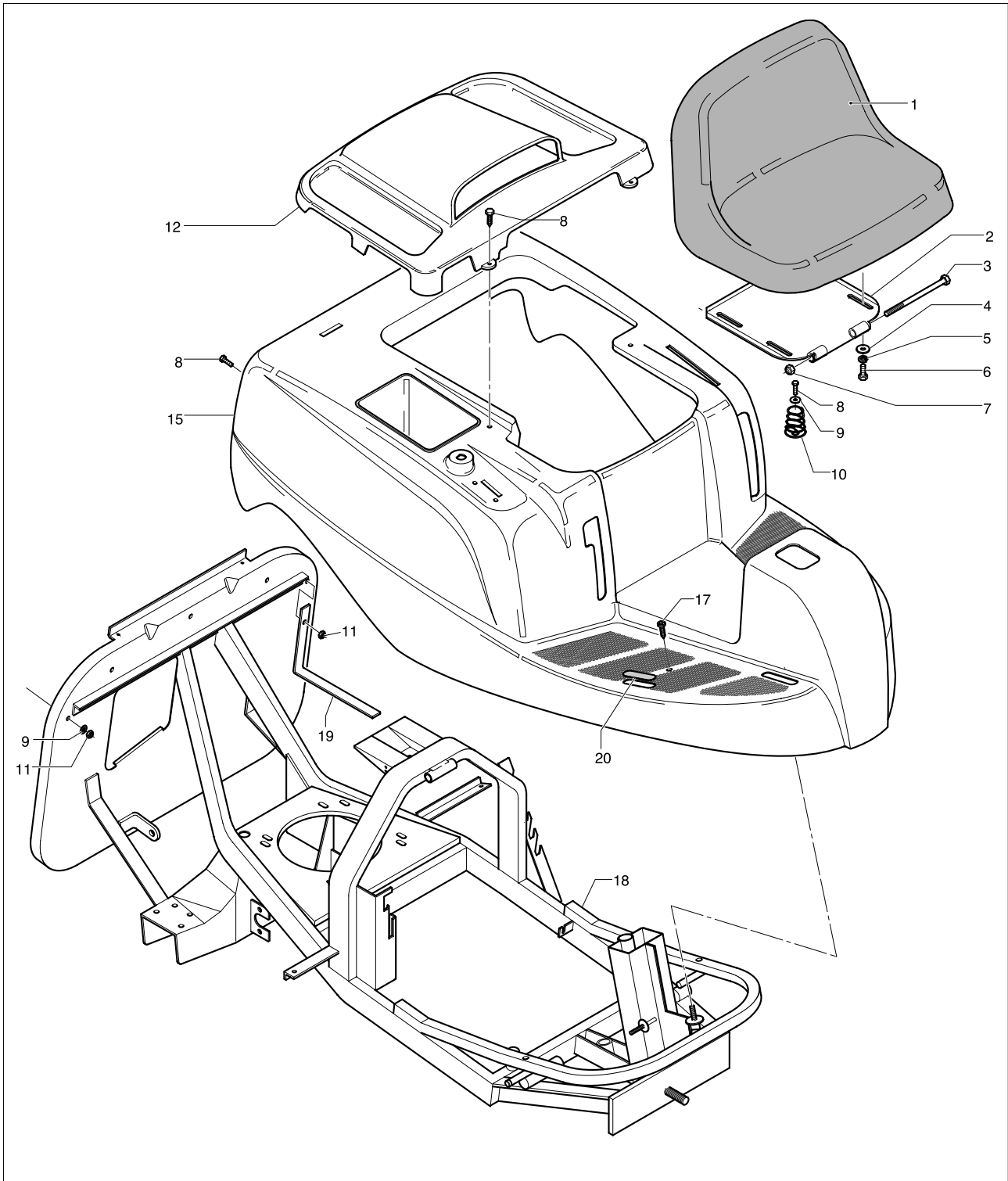
Pos	PN ELX	PN MEP	Q.ty	Note
1	5312068-35/5	10301560	2	M12 ALTO CL.6
2	5312068-34/8	10301550	1	
3	5312084-92/3	20282100	2	M5 H7 UNI7473-ZB
4	5312068-36/3	10301570	1	
5	5312078-38/8	10830300	1	TE M5x16 UNI 5739-8,8-ZB
6	5312068-33/0	10301510	1	
9	5312068-96/7	10302640	1	D.22x104x2.8
10	5312068-31/4	10301490	1	M16 UNI 7473 CL.8.8 AUTO
11	5312067-44/9	10300380	1	D17x30x2.5 UNI6592 ZNT
12	5312068-29/8	10301470	1	D.178 FORO D.16
13	5312068-28/0	10301460	1	D.17x30x25,5 ZNT
14	5312068-30/6	10301480	2	6304-2RS
15	5312068-18/1	10301360	1	
16	5312071-05/2	10407600	1	TE M8x70 UNI 5737-8,8-ZB
17	5312079-82/4	20106300	1	M8 H8 UNI 5587-6S ZB
18	5312069-34/6	10302980	1	
19	5312085-99/5	20404900	5	M8 H10 UNI7473-ZB
20	5312068-21/5	10301390	1	D.20x25x7
21	5312068-23/1	10301410	1	
22	5312068-19/9	10301370	1	
23	5312049-07/4	10100900	2	4x6,5 UNI6606 WODRUF
24	5312068-16/5	10301303	1	
25	5312068-22/3	10301400	1	
26	5312049-05/8	10069100	4	TE M8x45 UNI 5739-8,8-ZB
27	5312068-24/9	10301420	1	
28	5312111-51/0	10330500	1	
29	5312072-37/3	10530900	1	11x50x2,5
30	5312080-08/7	20120580	1	TE 3/8 UNFx37-8,8 1/2F ZB
31	5312084-91/5	20281800	1	M6 H8 UNI7473-ZB
32	5312078-60/2	10832200	1	6x24x2
33	5312080-53/3	20122600	1	M6x20 TE FL
34	5312068-40/5	10301653	1	TE M8x35 UNI 5739-8,8-ZB
35	5312051-96/3	10121700	1	
36	5312068-42/1	10301670	2	D.8.5x32x2.5 UNI6593
37	5312068-38/9	10301600	1	D.10X14X16 ZNT
38	5312069-43/7	10303070	2	D.12,5X36X2,5 Z
39	5312069-42/9	10303060	1	
40	5312069-44/5	10303080	1	TE M12X35-8.8-UNI5739 ZB

brand	PARTNER
-------	----------------

date	JAN/02	SHEET 7/16
------	--------	------------

Model
10-67 CRD 10 HP

Product number
9538781-13



brand	PARTNER
-------	----------------

date	JAN/02	SHEET 8/16
------	--------	------------

10-67 CRD 10 HP

Pos	PN ELX	PN MEP	Q.ty	Note
1	5312068-80/1	10302593	1	
2	5312068-77/7	10302563	1	
3	5312068-78/5	10302570	1	M8x150 UNI5737 ZNT
4	5312049-04/1	10066300	4	8x24x2
5	5312066-17/7	10239900	4	8E
6	5312085-85/4	20382300	4	TE M8x20 UNI 5739-8.8-ZB
7	5312085-99/5	20404900	1	M8 H10 UNI7473-Z
8	5312080-53/3	20122600	7	M6x20 TE FL
9	5312078-60/2	10832200	6	6x24x2
10	5312068-79/3	10302580	1	
11	5312084-91/5	20281800	6	M6 H8 UNI7473- ZB
12	5312069-98/1	10330020	1	
15	5312107-91/4	10330461	1	
17	5312069-03/1	10302660	2	D.6x25 ZNT SPECIAL
18	5312069-33/8	10302973	1	
19	5312068-94/2	10302630	1	
20			1	

brand	PARTNER
-------	----------------

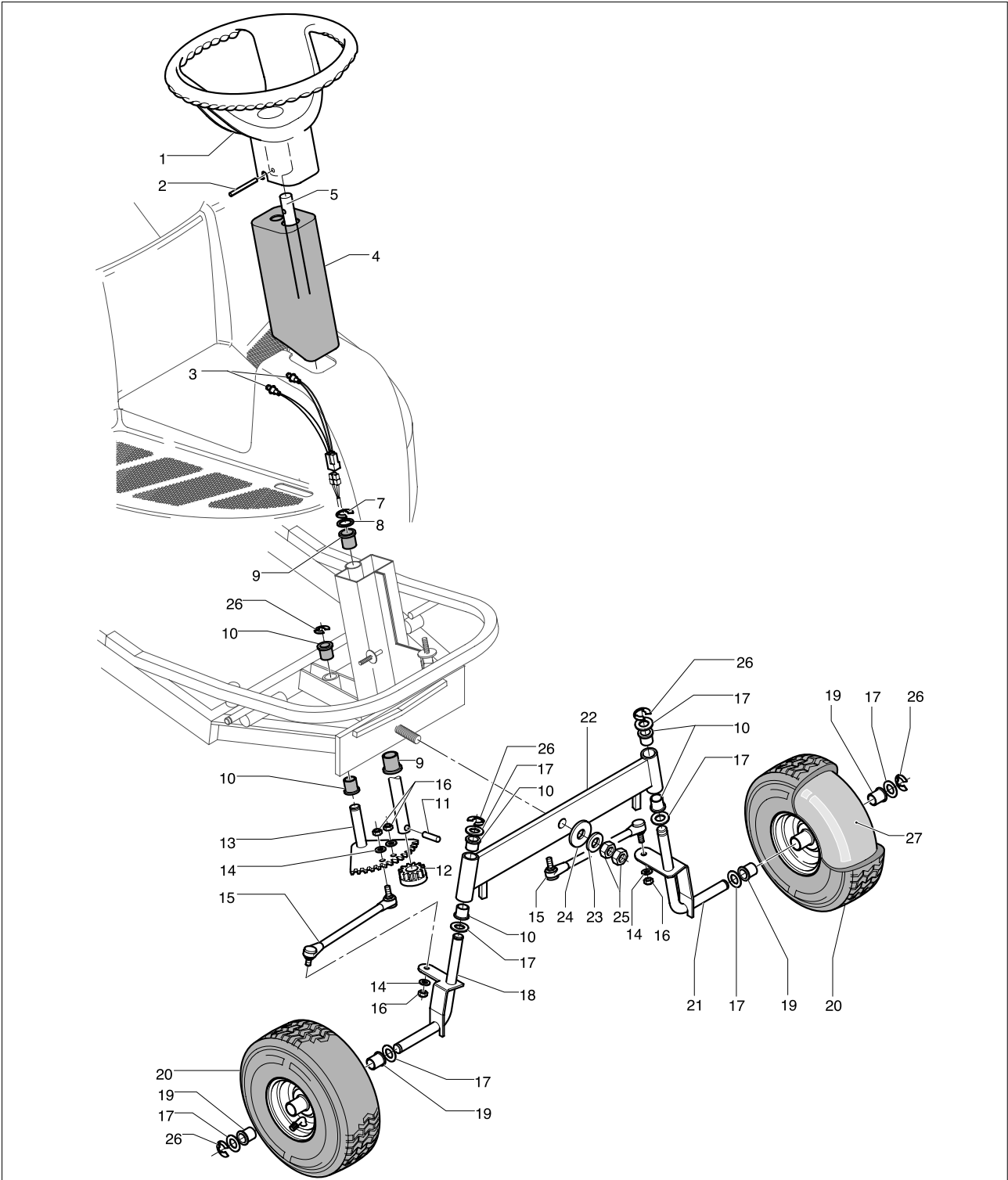
date	JAN/02	SHEET 9/16
------	--------	------------

Model

10-67 CRD 10 HP

Product number

9538781-13



brand	PARTNER
-------	----------------

date	JAN/02	SHEET10/16
------	--------	------------

10-67 CRD 10 HP

Pos	PN ELX	PN MEP	Q.ty	Note
1	5312067-49/8	10300453	1	D.340 N.2 RAZZE
2	5312067-50/6	10300460	1	6x60
3	5312069-29/6	10302920	1	
4	5312070-02/1	10330043	1	
5	5312067-51/4	10300470	1	D.20x590
7	5312067-27/4	10300190	1	DIN 6799 D.15
8	5312067-25/8	10300160	1	ITT 20,2x30x1
9	5312067-57/1	10300530	2	20x25x30
10	5312067-42/3	10300360	6	D.16,25X20=
11	5312067-56/3	10300520	1	8x36 UNI6875
12	5312067-53/0	10300490	1	M.3.5
13	5312067-47/2	10300430	1	
14	5312066-17/7	10239900	4	8E
15	5312067-45/6	10300410	2	
16	5312079-82/4	20106300	4	M8 H8 UNI 5587-6S ZB
17	5312067-44/9	10300380	8	D17x30x2.5 UNI6592 ZNT
18	5312067-37/3	10300300	1	DX
19	5312085-55/7	20302930	4	
20	5312067-14/2	10300020	2	11x4.00-4 (280X11) yellow
20	5312067-13/4	1030002E	2	11x4.00-4(280x11-0) grey
21	5312067-38/1	10300320	1	SX
22	5312067-36/5	10300283	1	
23	5312067-40/7	10300340	1	D.16,5x34x3,5
24	5312067-41/5	10300350	1	D.18x48x4 UNI6593 ZNT
25	5312067-39/9	10300330	2	M16 UNI 5588 ZNT
26	5312069-26/2	10302850	5	D.12
27	5312085-75/5	20330300	2	

brand	PARTNER
-------	----------------

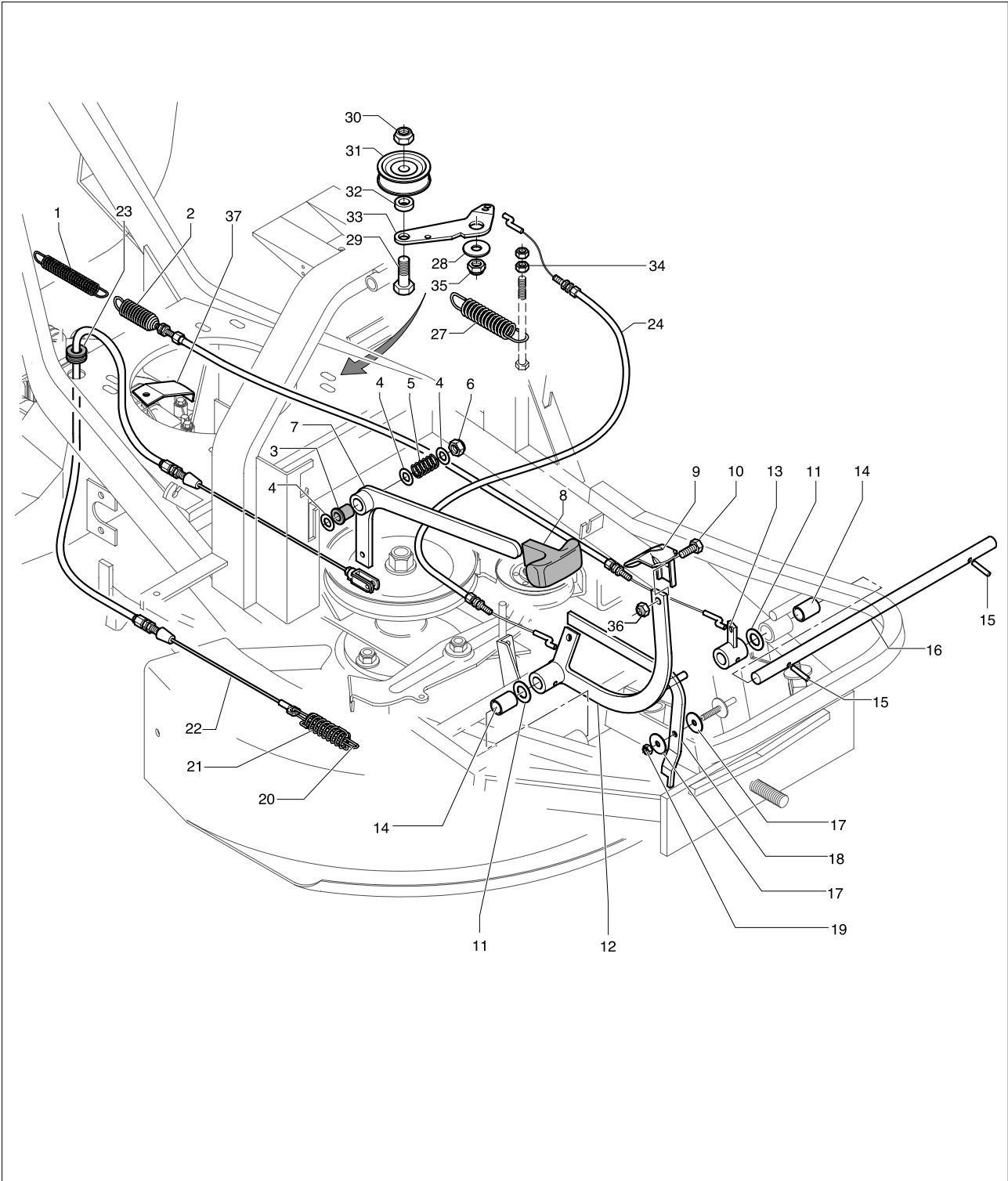
date	JAN/02	SHEET11/16
------	--------	------------

Model

10-67 CRD 10 HP

Product number

9538781-13



brand	PARTNER
-------	----------------

date	JAN/02	SHEET12/16
------	--------	------------

10-67 CRD 10 HP

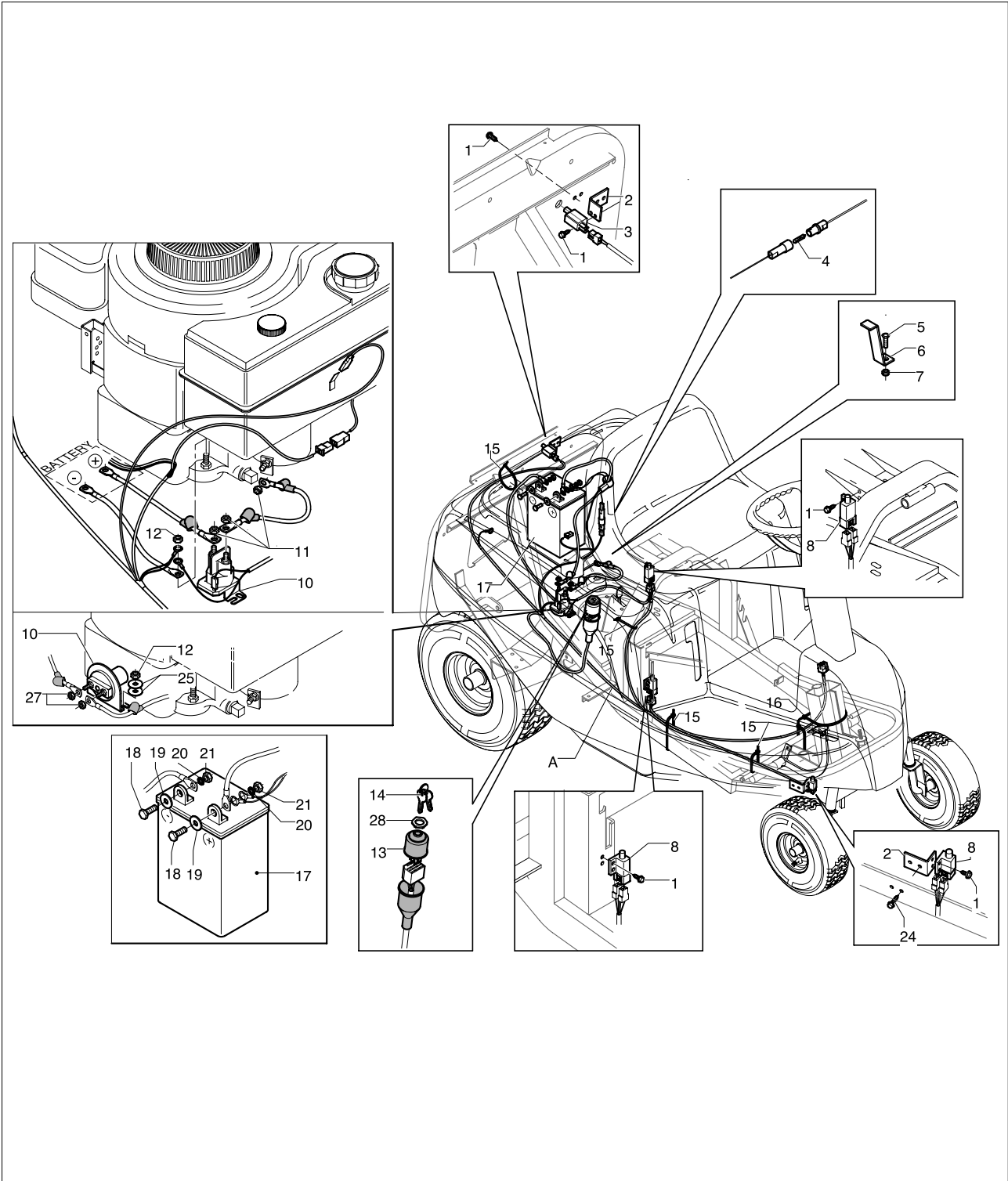
Pos	PN ELX	PN MEP	Q.ty	Note
1	5312070-29/4	10330360	1	
2	5312070-29/4	10301190	1	
3	5312068-01/7	10301060	1	
4	5312067-60/5	10300580	3	D.10.1x19x0.3 ITT
5	5312067-59/7	10300560	1	
7	5312067-58/9	10300550	1	
8	5312070-24/5	10330253	1	
9	5312067-73/8	10300743	1	
10	5312085-85/4	20382300	1	TE M8x20 UNI 5739-8.8-ZB
11	5312067-82/9	10300850	2	D.15,2x22x0,5 ITT
12	5312070-04/7	10330070	1	
13	5312067-77/9	10300780	1	
14	5312067-76/1	10300770	2	14x1
15	5312067-72/0	10300720	2	5x30 Din 7343 C70-C72
16	5312067-75/3	10300760	1	
17	5312078-60/2	10832200	2	6x24x2
18	5312070-05/4	10330082	1	
19	5312084-91/5	20281800	1	M6 H8 UNI7473- ZB
20	5312067-65/4	10300630	2	
21	5312067-79/5	10300820	1	D.20x61x3 ZNT TROP.
22	5312067-62/1	10300600	1	
23	5312067-63/9	10300610	1	
24	5312070-12/0	10330150	1	
27	5312070-17/9	10330180	1	
28	5312079-89/9	20113000	1	10x30x2,5
29	5312069-44/5	10303080	1	TE M12X35-8.8- UNI5739 ZB
30	5312068-35/5	10301560	1	M12 ALTO CL.6
31	5312070-19/5	10330200	1	
32	5312070-20/3	10330210	1	D.12X20X6HZB
33	5312070-18/7	10330190	1	
34	5312079-82/4	20106300	2	M8 H8 UNI 5587- 6S ZB
35	5312071-61/5	10501160	2	M10 H12 UNI7473-ZB
36	5312085-99/5	20404900	1	M8 H10 UNI7473-ZB
37	5312070-32/8	10330390	1	

brand	PARTNER
-------	----------------

date	JAN/02	SHEET13/16
------	--------	------------

Model	10-67 CRD 10 HP

Product number	9538781-13



brand	PARTNER
-------	----------------

date	JAN/02	SHEET14/16
------	--------	------------

10-67 CRD 10 HP

Pos	PN ELX	PN MEP	Q.ty	Note
A	5312068-65/2	10301990	1	
1	5312069-10/6	10302680	10	TE.FR. D.5.5x13 Z
2	5312068-71/0	10302050	2	
3	5312068-70/2	10302040	1	
4	5312069-32/0	10302960	1	16A
5	5312069-21/3	10302800	1	TPSE M8x20 - 10.9 UNI 5933
6	5312068-72/8	10302060	1	
7	5312085-99/5	20404900	1	M8 H10 UNI7473- ZB
8	5312068-68/6	10302020	3	
10	5312069-31/2	10302950	1	
11	5312067-52/2	10300480	3	1/4" UNC ZNT
12	5312079-82/4	20106300	1	M8 H8 UNI 5587- 6S ZB
13	5312068-63/7	10301970	1	
14	5312068-64/5	10301980	2	
15	5312069-19/7	10302780	4	3,6x200
16	5312069-23/9	10302820	1	3,6x370
17	5312068-66/0	10302000	1	6IF130-12V-22AH
18	5312086-60/5	20501370	2	TE M6x20 UNI 5739-8,8-ZB
19	5312053-77/9	10126000	2	6x18x1,5
20	5312067-31/6	10300230	2	D.6 DIN128 TIPO B ZNT
21	5312071-65/6	10501200	2	M6 H6 UNI 5587- 6S-ZB
24	5312070-28/6	10330320	2	TE FR D.55X16 UNI
25	5312049-04/1	10066300	2	8x24x2
27	5312071-65/6	10501200	2	M6 H6 UNI 5587- 6S-ZB
28	5312068-93/4	10302620	1	DSI P/N 9256

brand	PARTNER
-------	----------------

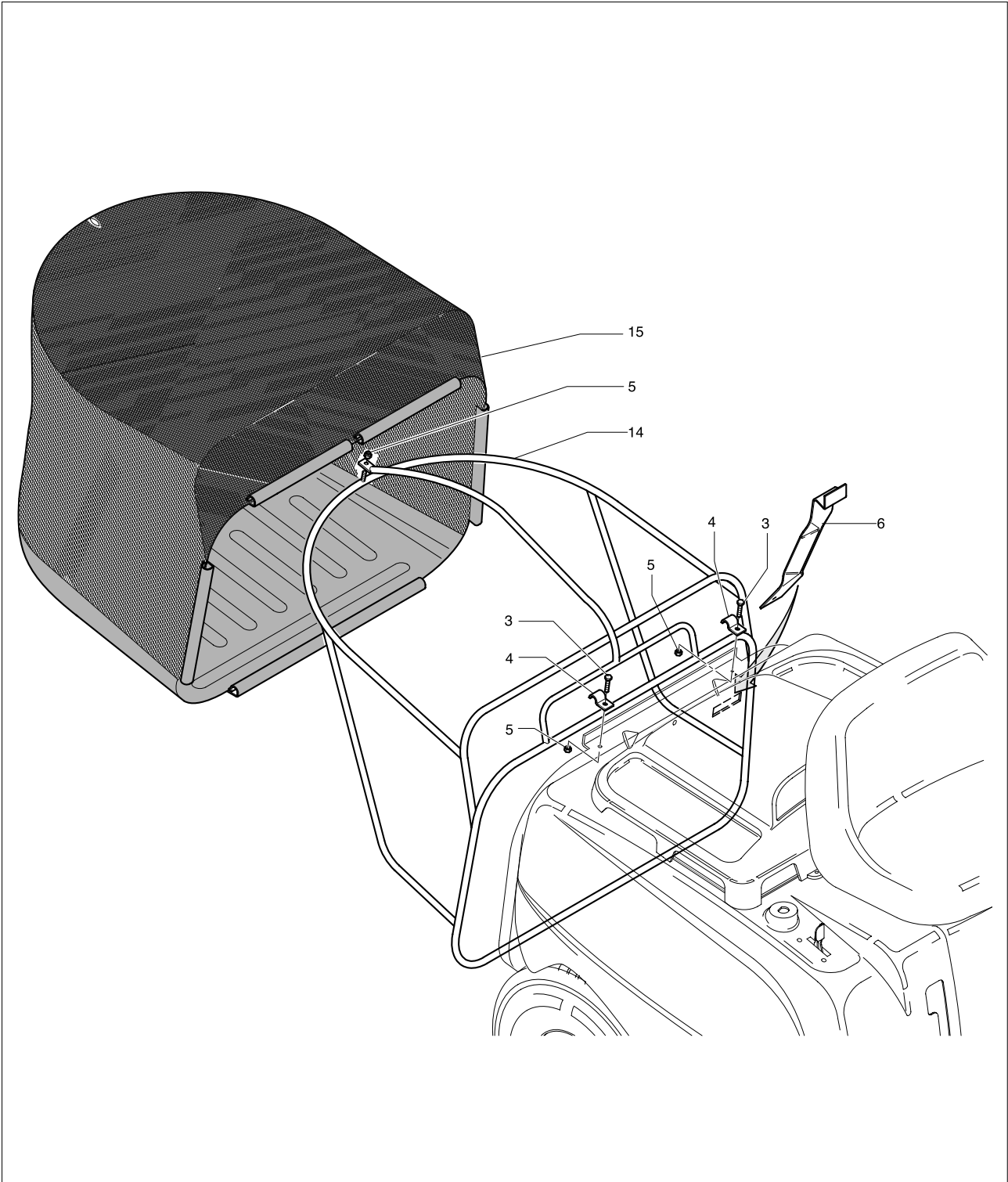
date	JAN/02	SHEET15/16
------	--------	------------

Model

10-67 CRD 10 HP

Product number

9538781-13



brand	PARTNER
-------	----------------

date	JAN/02	SHEET16/16
------	--------	------------

10-67 CRD 10 HP

Pos	PN ELX	PN MEP	Q.ty	Note
3	5312087-69/4	20655100	2	TE M6x16 UNI 5739-8,8-ZB
4	5312068-52/0	10301800	2	
5	5312084-91/5	20281800	3	M6 H8
6	5312067-88/6	10300920	1	
14	5312070-08/8	10330113	1	
15	5312070-09/6	10330123	1	

Partner Product Information

10 - 67 CRD

Technical Specifications

Product Type	Tractor
Model Name	10 - 67 CRD
Engine	Tec 10
Fuel Type	Petrol
Blades	67cm
Product Number	9538781-13
Bar Code	5011759 02957-5
Height of Cut Adjustment	Gear
Grass Bag Capacity	130 ltr
Type of Grass Collector	Bag
Number of Heights of Cut (from - to)	7 (40cm / 100)
Gears	5 Speed